



Installation Instructions

All models are intended for use with Natural gas or propane fired appliances only installed in a masonry chimney to a maximum height of 65 feet.

MODEL GAK

Z-Flex Aluminum Chimney Liner Kit

MODEL GIAK

Insul-Liner Kit

Kit includes:

- Gas liner
- Mortar guard
- Rain cap
- Self-tapping screws
- Flashing

MODEL GIAFK

Insul-Liner Gas Fireplace Kit

MODEL GAFK

Gas Fireplace Kit

Kit includes:

- Gas liner
- Rain cap
- Appliance connector
- Self tapping screws
- Flashing

Tools required: Duct tape, Screwdriver, $\frac{5}{8}$ Rope length, and Knife or Hacksaw



Listed to UL 1777, ULC S635

Manufacturer's address:

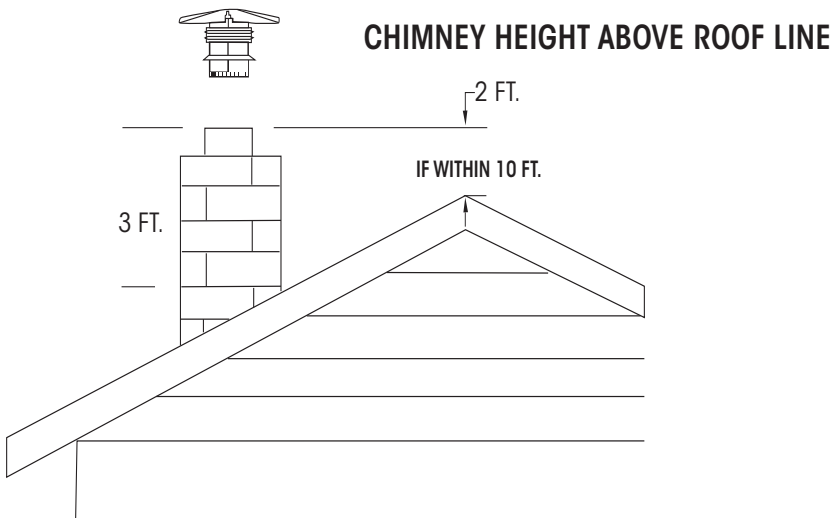


20 Commerce Park North, Bedford, NH 03110-6911
452 Attwell Drive Etobicoke, ON M9W 5C3

GENERAL INSTRUCTIONS

WARNING: Do not use any materials other than those specified in the instructions.

1. These instructions are for models **GAK, GAFK, GIAK and GIAFK**.
2. Read the installation instructions carefully prior to installing the chimney liner. If doubts exist, contact your local distributor or Z-Flex at 1-800-654-5600 (in NH 603-669-5136).
3. Clean and repair chimney as required. **NOTE: Removal of all tar glazed creosote is a must prior to installation of chimney liner.** Also, cracked, loose or missing bricks, mortar or other materials that could inhibit correct installation of the chimney lining system should be removed/repaired.
4. Contact your local building or fire officials about any restrictions and inspections required.
5. The wall penetration assemblies must not be located directly behind a heating appliance.
6. The chimney liner must not be sized less than that specified in the appliance manufacturer's instructions.
7. The liner may be purchased in various lengths to suit chimney height. If it is necessary a single joint is allowed to join two liners.
8. Nose cone is a catalogue item and is sold by Z-Flex.
9. Be sure to extend the chimney liner to conform to applicable building codes (local & national). That is, chimneys are required to extend at least *three (3) feet above the highest point where they pass through the roof of a building, and at least two (2) feet higher than any portion of the building within 10 feet (see illustration).*
10. The air space clearance between the masonry chimney exterior and combustible materials should be checked to verify that the chimney is in accordance with the clearance specifications contained in the NFPA 211 Standard or other recognized major building codes, i.e., on an exterior chimney, clearance is 1" while on an interior chimney, clearance is 2".



This list details only some of the intended uses of the gas liner. If your appliance is not on this list and you are not sure if it is appropriate to use with a gas liner, contact your appliance manufacturer prior to installation.

Gas or propane:

- | | |
|----------------|--------------|
| Furnaces | Water heater |
| Fireplaces | Boilers |
| Clothes dryers | Burners |
| Ranges | |

Minimum Appliance Clearances – Table 1.10

Clearances from connectors to unprotected combustible material must be in accordance with the table below.

Description of Appliance	Minimum clearance: in (mm)
Gas appliance without draft hood	18 (457)
Electric gas and oil incinerators	18 (457)
Unlisted gas appliance with draft hood	9 (229)
Boilers/furnaces equipped with listed gas burners and draft hoods	9 (229)
Listed gas appliance with draft hood	6 (152)
Restaurant-type ranges	18 (457)
Unlisted gas unit heaters	18 (457)
Listed gas unit heaters with draft hoods	6 (152)
Other low heat industrial appliances	18 (457)

Minimum and Maximum Clearances – Table 1.8

Liner diameter	Minimum chimney dimensions
3"	3 ⁵ / ₈ " x 3 ⁵ / ₈ "
4"	4 ⁵ / ₈ " x 4 ⁵ / ₈ "
5"	5 ⁵ / ₈ " x 5 ⁵ / ₈ "
6"	6 ⁵ / ₈ " x 6 ⁵ / ₈ "
7"	7 ⁵ / ₈ " x 7 ⁵ / ₈ "
8"	8 ⁵ / ₈ " x 8 ⁵ / ₈ "
9"	9 ⁵ / ₈ " x 9 ⁵ / ₈ " Max. chimney height: 65 ft.
10"	10 ⁵ / ₈ " x 10 ⁵ / ₈ " Min. chimney height: 10 ft.
12"	12 ⁵ / ₈ " x 12 ⁵ / ₈ " Min. brick thickness: 3 ¹ / ₂ in.

Installation Procedure

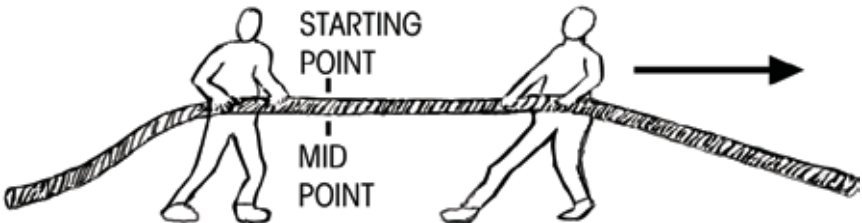
1. All models are designed and listed to be installed in a masonry or prefab metal chimney.
2. Read all instructions carefully prior to installing and using appliance.
3. Clean the chimney thoroughly, removing all soot, debris and tar glaze creosote. Repair or replace any cracked, loose or missing bricks, mortar and other materials that could inhibit correct installation of the chimney liner

- system. Trim the top protruding clay tile to allow for the installation of the Z-Flex chimney flashing.
4. Eliminate any obstructions in the chimney.
 5. Prior to installing **Models GAK & GAFK**, extend to their maximum length (see proper stretching techniques below). **Models GIAK & GIAFK** are shipped fully extended.
 6. Now the Flexible Liner is ready to be installed in the chimney. Take a rope slightly longer than the liner and make a knot at one end of the rope and place other end through the backside of the *Nose Cone and pull the rope until the knot is completely in the Nose Cone. Place the Nose Cone at the end of liner. To secure, use duct tape or other fastener.
 7. Using the rope attached to the Nose Cone*, guide the liner down the chimney through the inlet opening. Allow approximately 1 foot of liner to extend out of the basement wall. (**Models GAK & GIAK** see figures 1 & 2, page 7)

Important Notice

Follow these instructions carefully to prevent injury and damage to liner.

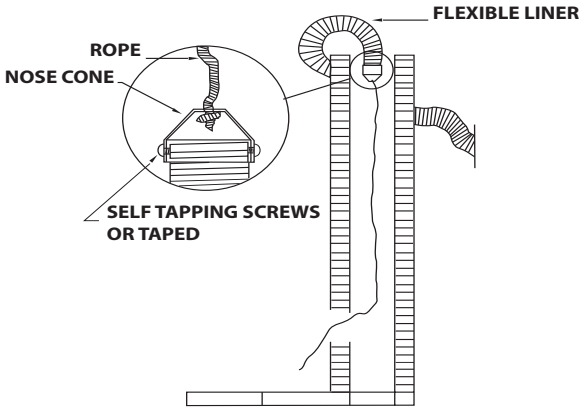
Proper Stretching Technique For Z-flex Aluminum Chimney Liner



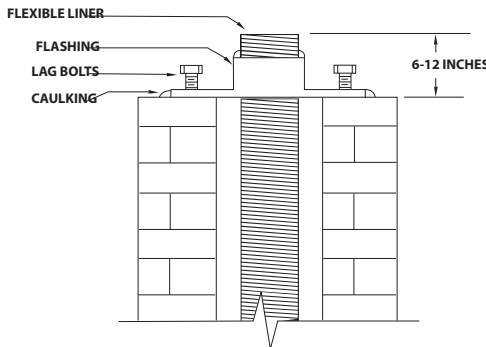
- The enclosed liner is in a fully compressed form.
- The stretching of the liner requires two people.
- The liner should be stretched working half the length at a time following this procedure:
 - Start by facing each other at the approximate mid point in the liner.
 - Holding the liner firmly in your hands one person should walk backwards, stretching portions of the liner as they backup.
- As you stretch the liner, watch the corrugation to make sure you are expanding the liner fully as well as not over-stretching it.
- Follow the same procedure for the other half of the liner. If you have any questions contact:
Z-Flex U.S., Inc., 1-800-654-5600.
- The liner should now be at full length.

***Nose Cone can be purchased from the Z-Flex catalogue.**

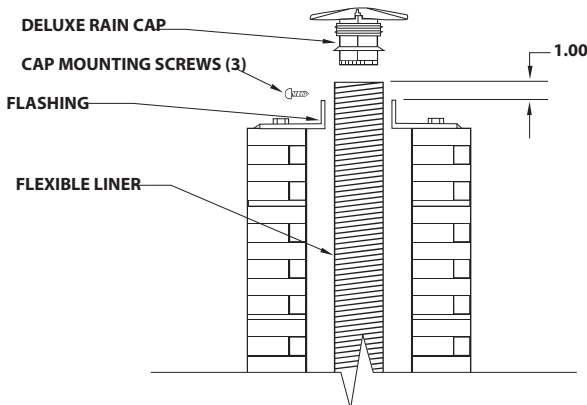
8. For models **GAFK & GIAFK** attach liner directly to appliance using appliance connector included in kit. (See figures 3 & 4)



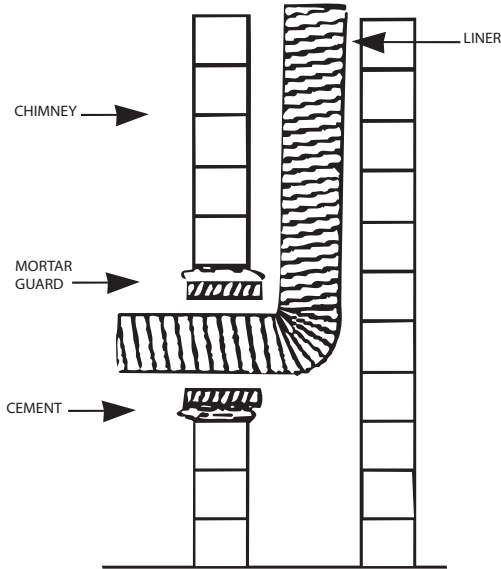
9. Allow at least 6 inches to 12 inches of the liner to extend above the top of the chimney for attaching Rain Cap. Place the chimney flashing over the liner and secure to chimney using nail-in anchors. Caulk all joints with a quality silicone sealant and paint if required.



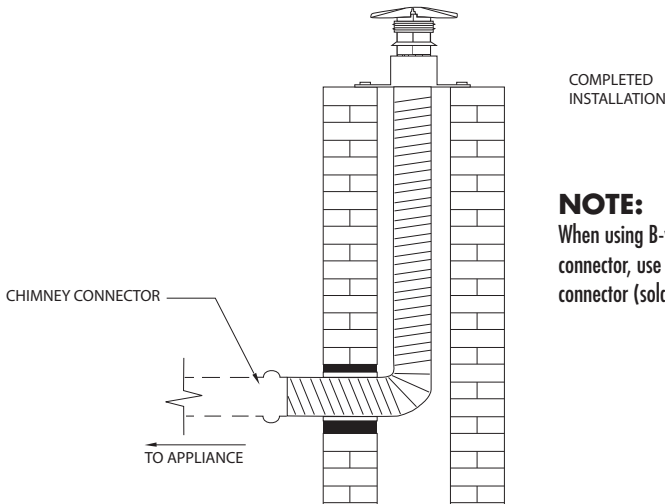
10. Using a knife or hacksaw, trim the liner to within 1" of the chimney flashing. Secure the Rain Cap to the liner with three evenly spaced screws (provided).



11. At the chimney inlet, remove Nose Cone and place the Mortar Guard around the liner. Secure Mortar Guard with cement.



12. Trim the liner at the bottom with a knife or hacksaw and attach the chimney connector pipe into the liner.



NOTE:

When using B-vent as the vent connector, use B-vent to Z-Flex liner connector (sold separately).

Maintenance Instructions

The Chimney lining system should be checked by an authorized representative of the company, or other qualified person such as a certified chimney sweep, at least once a year following initial installation.

To clean the liner, remove Rain Cap via the three securing screws. Check appliance manufacturer's instructions to see if any particular precautions should be taken on initial firing of any appliance that is vented through a chimney liner.

Save these instructions for future reference.

Models GAK & GIAK

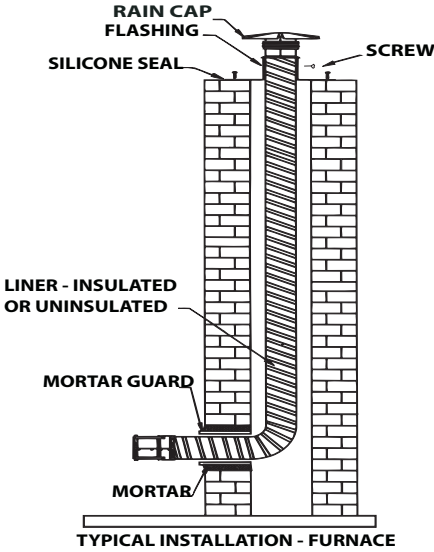


Fig. 1

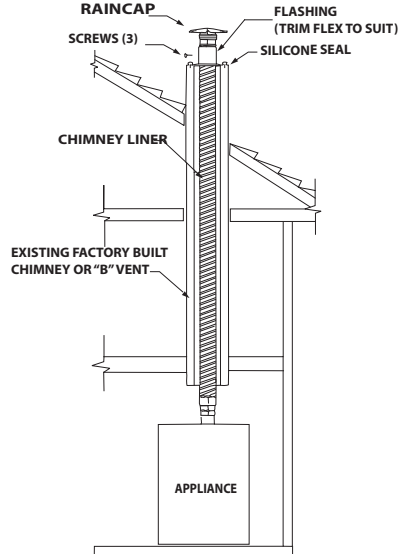


Fig. 2

Models GAFK & GIAFK

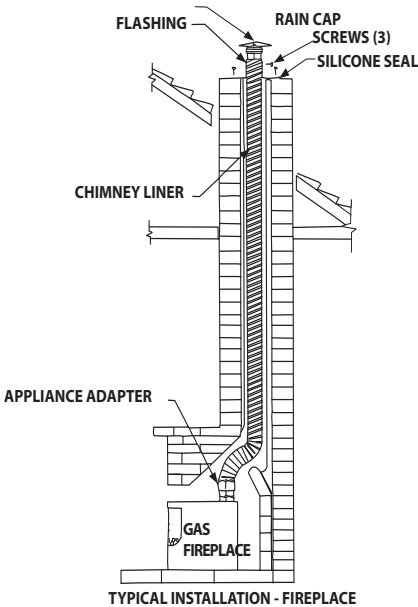


Fig. 3

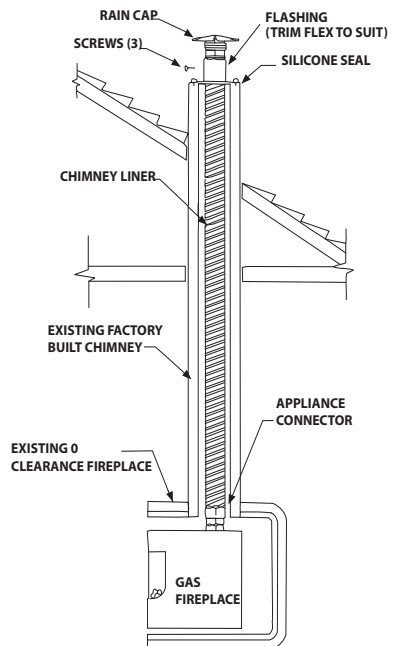


Fig. 4

Full 25 years liner warranty

Z-Flex® U.S., Inc. ("Z-Flex®") warrants its ALUMINUM CHIMNEY LINER to the original purchaser or if purchased by a contractor, to the end user. The warranty is valid for a period of twenty five (25) years, provided it is installed according to UL installation instructions. Deviating from the installation and use instructions included with the liner will void the warranty. Z-Flex® warrants that at the time of shipping the ALUMINUM CHIMNEY LINER will be free of manufacturer's defects in material and/or workmanship.

Liability under the warranty shall be limited to the replacement of the liner and accessories found to be defective according to the terms of the warranty, and shall not include replacement installation or other costs.

IMPORTANT: Z-Flex® ALUMINUM CHIMNEY LINERS are designed to be used with these fuels only: Natural gas and propane gas. Excessive condensation with high chlorine content may have a corrosive effect on aluminum. Where these conditions prevail, we recommend using our AL29-4C® Stainless Steel vent system. Refer to equipment manufacturer's installation instructions for proper liner material.

To activate the warranty, the purchaser or end user must complete and return the Z-Flex® warranty registration card within ninety (90) days of installation. Upon receipt of written notice of any defect, Z-Flex® reserves the right to examine or engage others to examine the liner. Such examination must establish reasonable proof of defective material or workmanship justifying replacement.

The sole remedy for breach of any and all warranties and the sole remedies for Z-Flex®'s liability of any kind shall be limited to the remedies provided herein. Z-flex shall not be liable for any special, incidental, indirect or consequential damages, or for any claim against the purchaser or end user by any other party. EXCEPT AS SPECIFICALLY PROVIDED HEREIN, Z-FLEX® DOES NOT MAKE ANY EXPRESS OR IMPLIED WARRANTIES, INCLUDING BUT NOT LIMITED TO THE IMPLIED WARRANTIES OF MERCHANTABILITY AND FITNESS FOR A PARTICULAR USE. Some states do not allow the exclusion of implied warranties or the limitation or exclusion of liability for incidental or consequential damages, so the above limitations may not apply to you. You may also have other rights which vary from state to state.

For further information, call or write to:

20 Commerce Park North
Bedford, NH 03110-6911
Tel: (603) 669-5136
Toll Free: 1-800-654-5600

452 Attwell Drive
Etobicoke, Ontario
M9W 5C3
Tel: (416) 731-9411

WARRANTY REGISTRATION CARD



For this warranty to be effective this card must be completed upon purchase of the covered liner and returned to Z-flex, Inc.

NAME: _____

ADDRESS: _____

LINER PURCHASED FROM: _____

DATE OF INSTALLATION: _____

FIREPLACE, STOVE OR FURNACE MODEL: _____

I understand and agree

to the warrant as stated: _____

(signature)

ZQuote™

Powerful New Quoting Tool

The current economic climate demands companies employ lean and innovative strategies.

Z-Flex® has pinpointed a need and brought to market cutting-edge technology with the new quoting tool **ZQuote™**.

Use this free powerful application **NOW!** to accelerate response times and quickly produce the detailed quotes you need.



ZQuote™ is a revolutionary software solution that can quickly create detailed, dimensioned **Z-FLEX®** Vent System Layouts, accurate bill of materials and a quote proposal.

ZQuote™ virtually eliminates the need for time consuming AutoCad drawings.

- Step 1** Complete and submit the ZQuote™ Design Checklist found on our website.
- Step 2** Design information is entered into ZQuote™
- Step 3** ZQuote™ produces a detailed layout drawing with part call outs, bill of materials and a detailed price quote.

ZQuote™ is a proprietary quote system for use with **Z-FLEX®** Vent Systems.

Typical applications for **Z-FLEX®** Vent Systems include:

Boilers, Water Heaters, Tankless Water Heaters, Unit Heaters, Pool Heaters, Hot Water Boosters, Gas Fired Steam Humidifiers.



Z-VENT® Smoothcore™ AL29-4C

Stainless Steel flexible vent with smooth inside diameter for Category II, III & IV vent, in 2" to 8" with patented airtight Triple-Lock Construction & exclusive ZLOK Tee.



Z-VENT® Single or Double Wall AL29-4C

Stainless Steel rigid vent for Category II, III, & IV vent in 3" to 24" diameters with revolutionary double fail safe seal that dramatically reduces the installed vent time and cost.



Z-DENS Polypropylene Vent System

Polypropylene Vent Systems for High Efficiency Condensing Appliances

- Single Wall Rigid • Flexible Liner
- Cascade • Concentric



Co-Linear Vent System Z-FLEX® DVI Kits

designed for use when converting existing wood-burning fireplaces into gas. Allows for a completely sealed system that does not compromise indoor air quality. Kit includes two Triplelock® Gas Liners, one for flue exhaust, the other for outside combustion air. Includes either extreme weather or decorative co-linear termination options